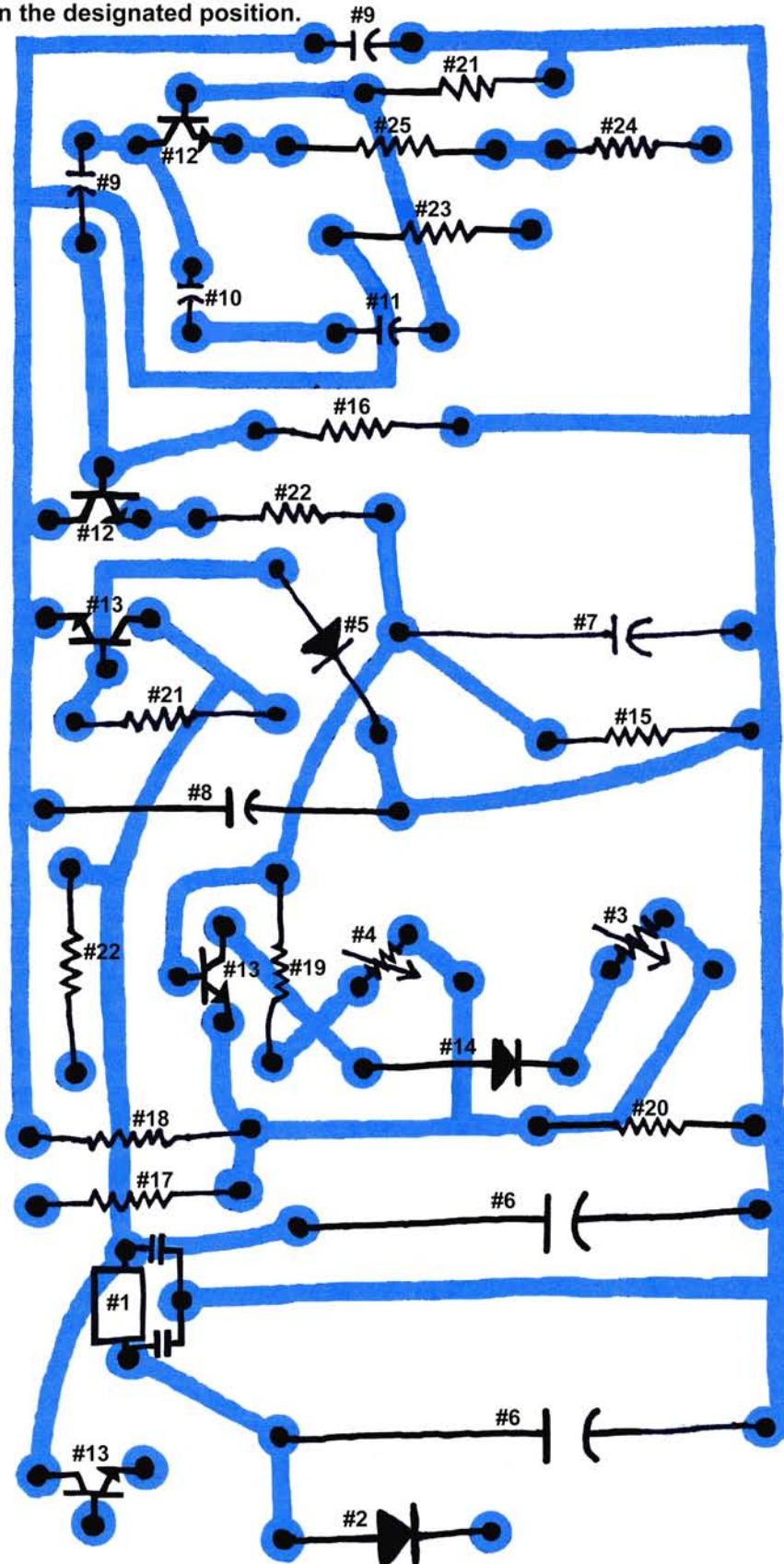


# BulletInspector Circuit board Layout

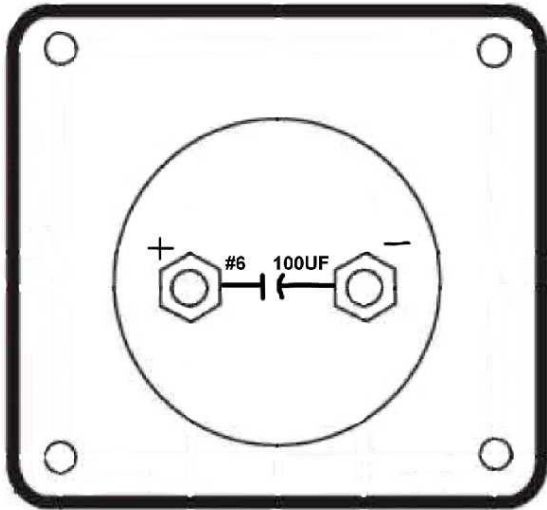
Using the part # list on page #3 Place and solder the componets on the circuit board in the designated position.



# Instruction for the back of panel meter

The following illustrations are of the back of the panel meter head. You must install a 100 UF Capacitor across both terminals as shown in the pictures below.

Simpson 1329 panel meter head



Looking at the Circuit Board Component parts list on page number 1. Item #6 is the 100 UF Capacitor used above pictures.

## Electronic components Parts List for circuit board

Quantity	Discription	Part #	Shipped	Backordered
1	L7812CV 12 Volt voltage regulator	#1		
1	1n4001 Rectifier diode	#2		
1	5K ohm Potentiometer	#3		
1	20K ohm Potentiometer	#4		
1	9.1 volt Zener diode	#5		
3	100 uf Capactor	#6		
1	10 uf Capacitor	#7		
1	22 uf Capacitor	#8		
2	203 pf Capacitor	#9		
1	3.9 nf Capacitor	#10		
1	473 uf Capacitor	#11		
2	2n2222a NPN Transistor	#12		
3	2n3904 NPN Transistor	#13		
1	ITT Germanium Diode	#14		
1	47K ohm carbon film resistor	#15		
1	680K ohm carbon film resistor	#16		
1	680 ohm carbon film resistor	#17		
1	4.3K ohm carbon film resistor	#18		
1	1.5K ohm carbon film resistor	#19		
1	8.2K ohm carbon film resistor	#20		
2	4.7K ohm carbon film resistor	#21		
2	330 ohm carbon film resistor	#22		
1	22K ohm carbon film resistor	#23		
1	430 ohm carbon film resistor	#24		
1	180 ohm carbon film resistor	#25		
			Page 3	